

**Advanced Technology & Quality in Stone Crushing**

**VERTICAL SHAFT IMPACTOR**



**Shree Conmix**  
Engineers Pvt. Ltd.



## VERTICAL SHAFT IMPACTOR

CONMIX MODEL	Max. Feed Size	Capacity TPH	Power (H P)	RPM
Conmix - 500	25	15 - 60	40 - 75	1500 - 2800
Conmix - 600	40	25 - 125	75 - 150	1100 - 2200
Conmix - 760	50	70 - 200	150 - 250	1000 - 1800
Conmix - 900	62	100 - 350	200 - 350	1000 - 1500

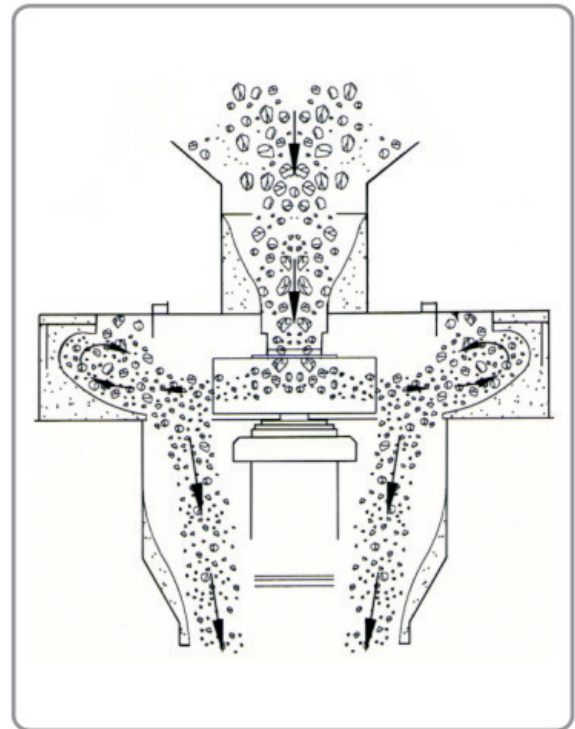
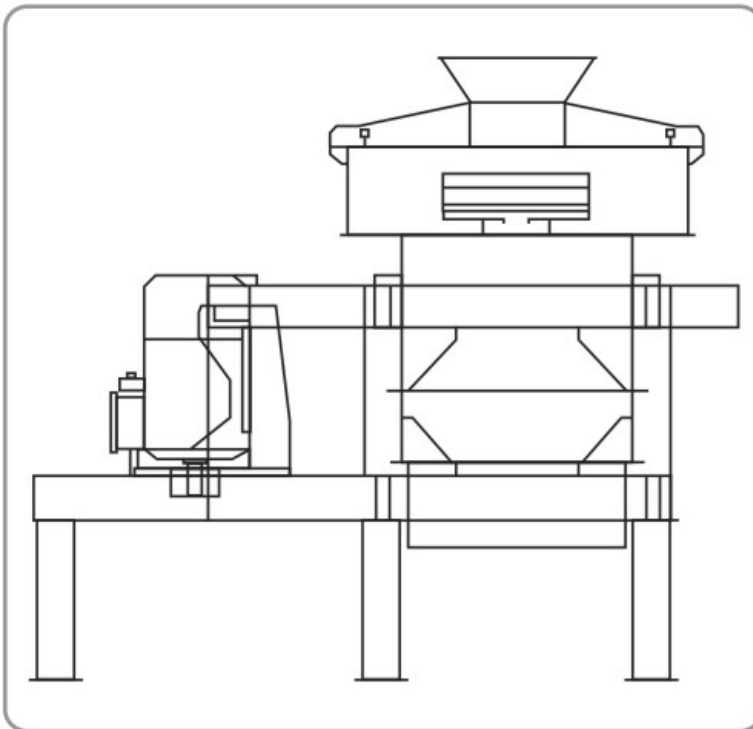
The material enters through the feed tube into a closed rotor assembly. Then it is thrown against an angular rock bed / anvils, by high speed impeller, which gives high velocity and swirling action to the material. Due to this action, rock gets better cubical shape with some fines generation.

In combination of variables of rotor speed & feed better control of finer product, shape and gradation can be achieved.

Vertical Shaft Impactor (VSI) is used in the Quarrying Industries for the production of high quality aggregates & sand.

Advantages of CONMIX VERTICAL SHAFT IMPACTOR :

- (1) Gives better cubical shape.
- (2) Better control over product grading.
- (3) Screening efficiency is increased due to better cubical shape of the product.



Specifications are subject to change without prior notice.



**Shree Conmix Engineers Pvt. Ltd.**

7603, G.I.D.C. Estate, Phase - IV, Vatva, Ahmedabad - 382 445. (Gujarat)  
 Phone : 091 - 79 - 2584 0917 • Telefax : 091 - 79 - 2584 0297  
 E-mail : info@conmixcrusher.com • Website : www.conmixcrusher.com